



# CARGO BOX

2021+ CHEVROLET TAHOE

---

## Installation Instructions

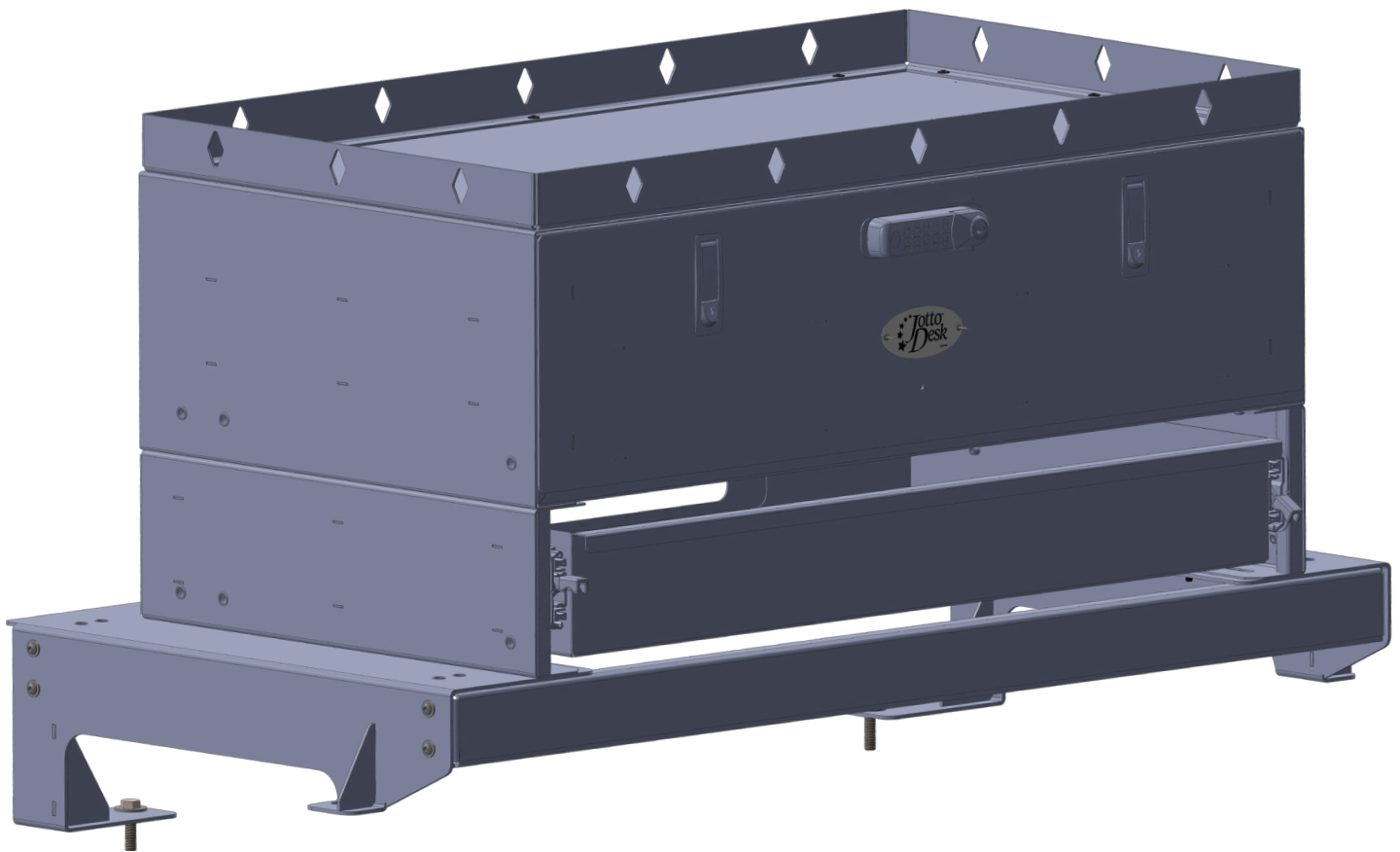
Cargo Box - 425-0063

PI Utility Mounting Kit - 425-0067

Top Rail - 425-0062

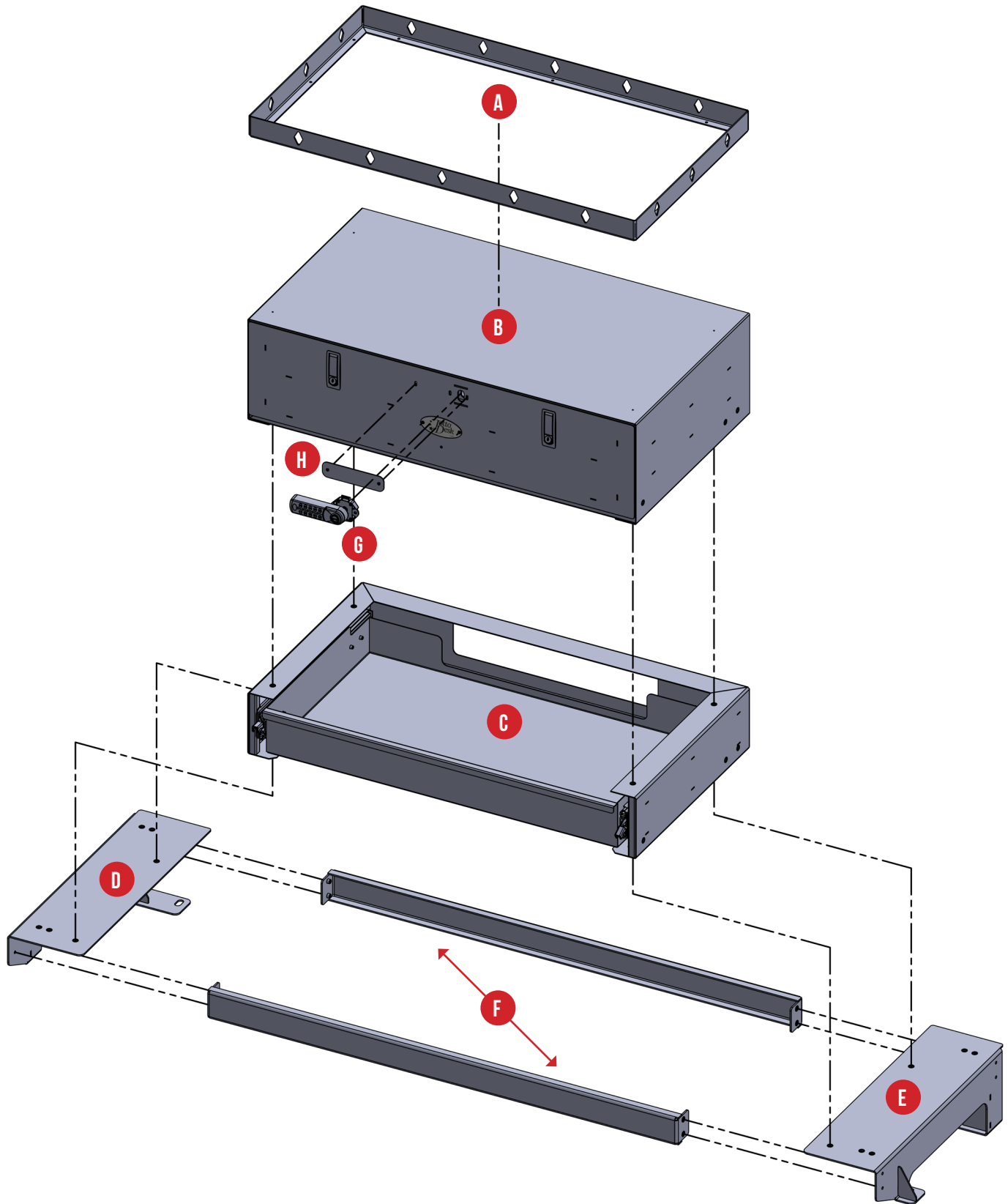
Equipment Tray - 425-0064

Electronic Slam Latch - 425-0065



Before beginning the installation, confirm that you have received all of the parts for your package.

Read the instructions completely before starting installation.



**DIAGRAM A**

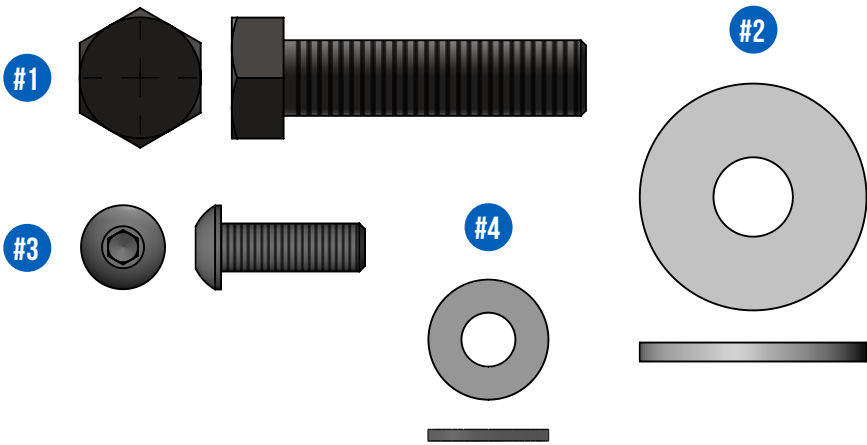
A. Top rail (optional) .....	425-0062	E. P/S Mounting bracket.....	435-0376
B. Cargo box .....	425-0063	F. Mounting braces .....	435-0377
C. Equipment tray (optional).....	425-0064	G. Electronic latch (optional).....	425-0065
D. D/S Mounting bracket .....	435-0375	H. Cover plate (pre-installed).....	435-0115

# HARDWARE BAGS

## HARDWARE BAG - 435-0358

(FOR 425-0066 TAHOE CARGO BOX)

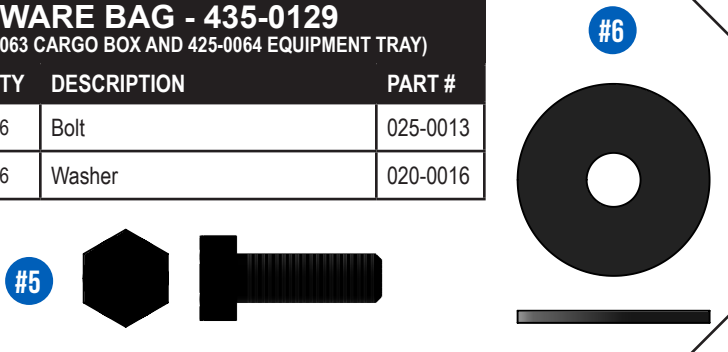
ITEM	QTY	DESCRIPTION	PART #
#1	2	Bolt	028-0025
#2	2	Washer	020-0127
#3	8	Bolt	023-0156
#4	8	Washer	020-0126



## HARDWARE BAG - 435-0129

(FOR 425-0063 CARGO BOX AND 425-0064 EQUIPMENT TRAY)

ITEM	QTY	DESCRIPTION	PART #
#5	6	Bolt	025-0013
#6	6	Washer	020-0016



**NOTE:** You will receive a 435-0129 hardware bag for each cargo box and equipment tray.

## HARDWARE BAG - 435-0128

(FOR 425-0062 TOP RAIL)

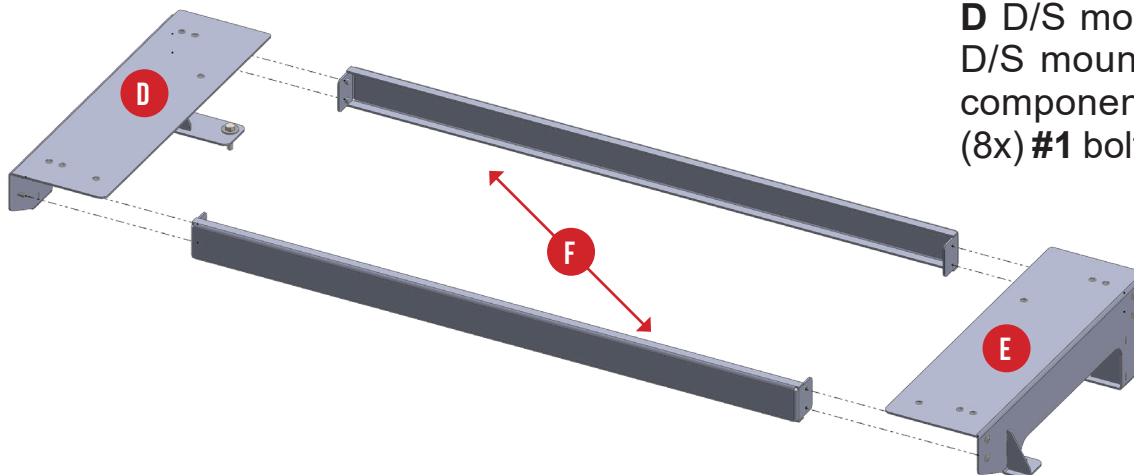
ITEM	QTY	DESCRIPTION	PART #
#7	12	Screw	023-0227



If the storage system is being installed with a seat replacement system, install the seat replacement system in the vehicle before beginning the installation of the storage system.

## STEP 1

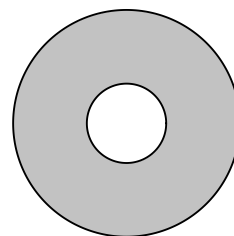
1. Outside of the vehicle, assemble (2x) **F** mounting brackets, (1x) **D** D/S mounting bracket, (1x) **E** D/S mounting bracketg bracket components using the provided (8x) **#1** bolts and (8x) **#2** washers.



**#1** x1

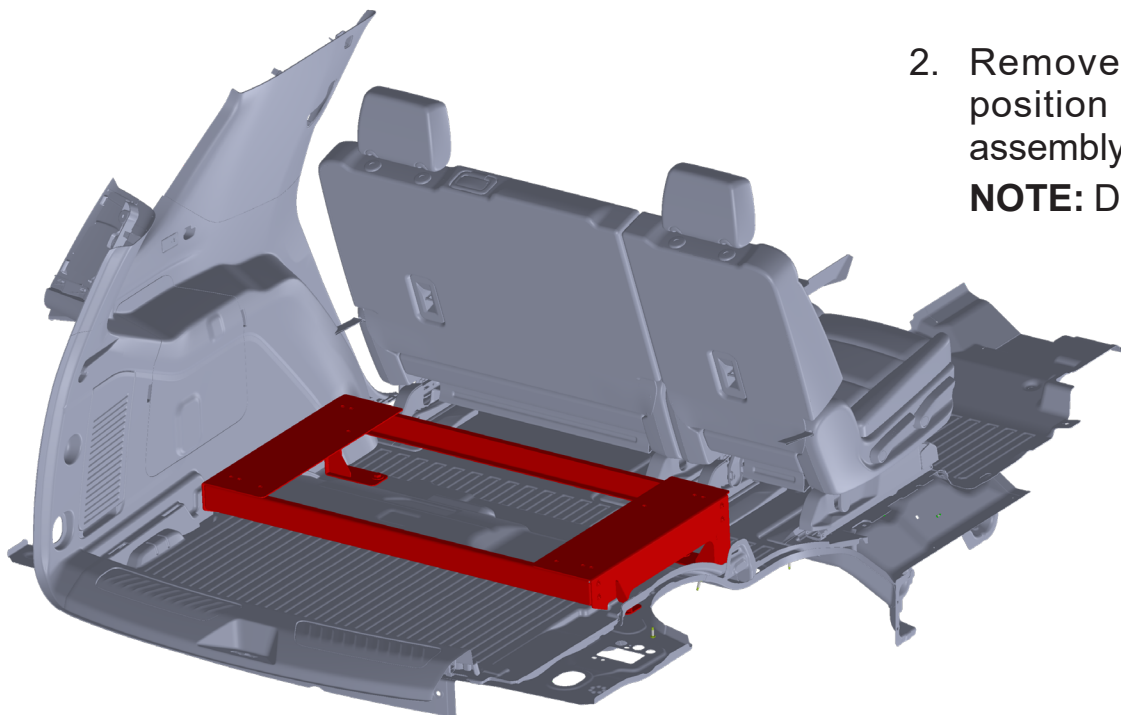


**#2** x2

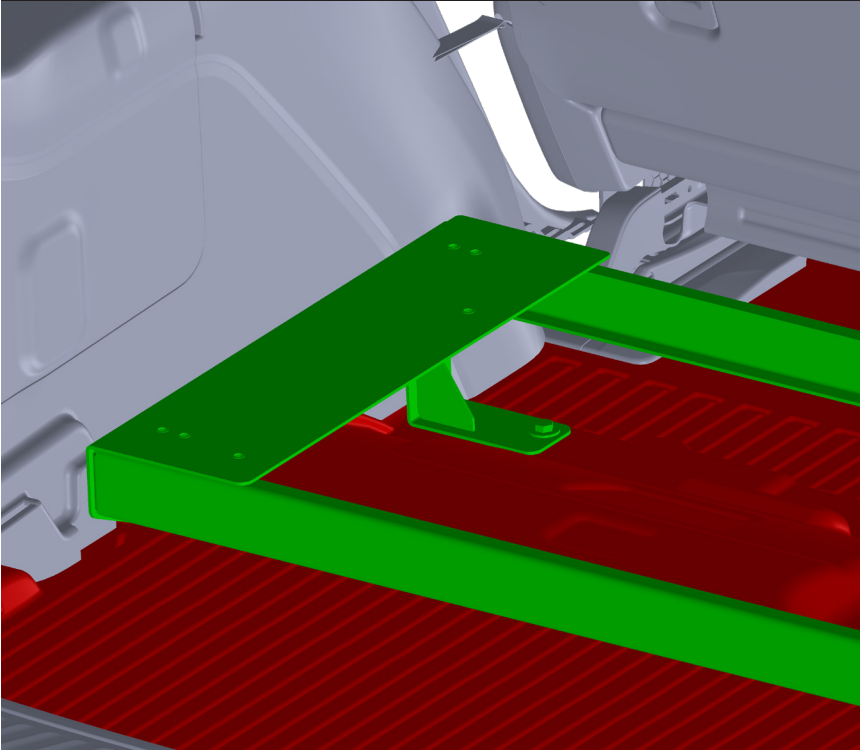


## STEP 2

2. Remove (2) OEM bolts and position the mounting bracket assembly in the vehicle.  
**NOTE:** Do not attach yet.

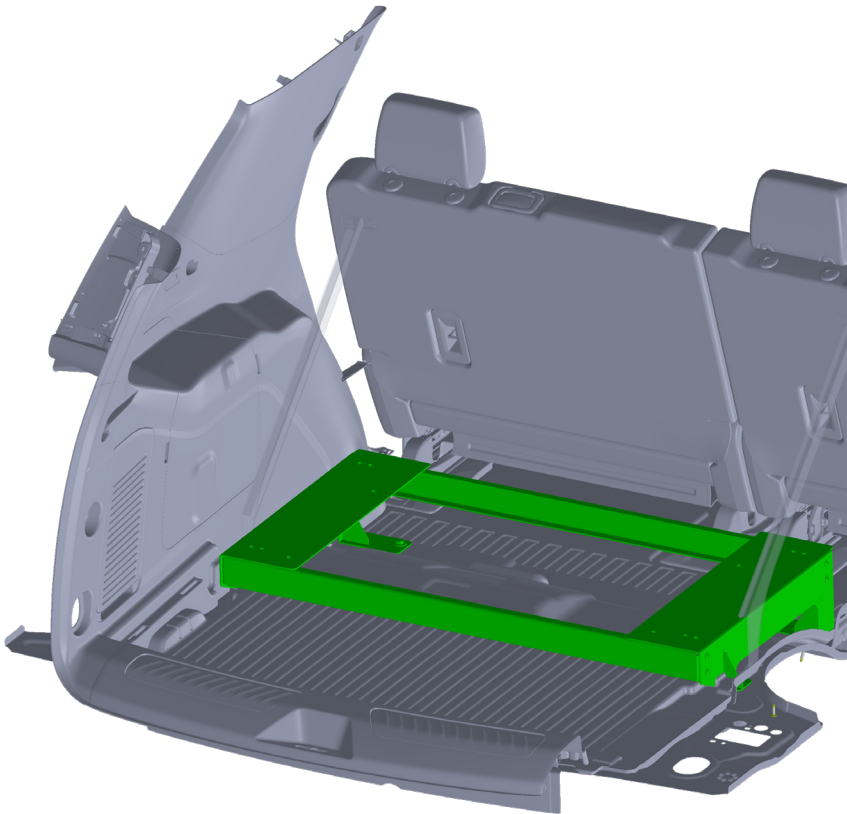


## STEP 3-4



3. Using the mounting bracket assembly as a reference template, trace around the forward mounting meet to indicate where to trim away the vehicle's vinyl flooring.
4. Remove the mounting bracket assembly from the vehicle and trim away the vehicle flooring.

## STEP 5



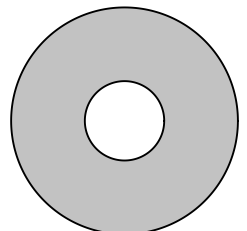
5. Install the mounting bracket assembly in the vehicle using the OEM hardware for the rear-most mounting points and using the provided (2x) #1 bolts and (2x) #2 washers for the forward mounting points.

**NOTE:** If the cargo barrier is being installed, loosely install (1x) 475-1685 driver side support and (1x) 475-1686 passenger side support underneath the mounting bracket assembly, using the OEM locations.

#1 x1

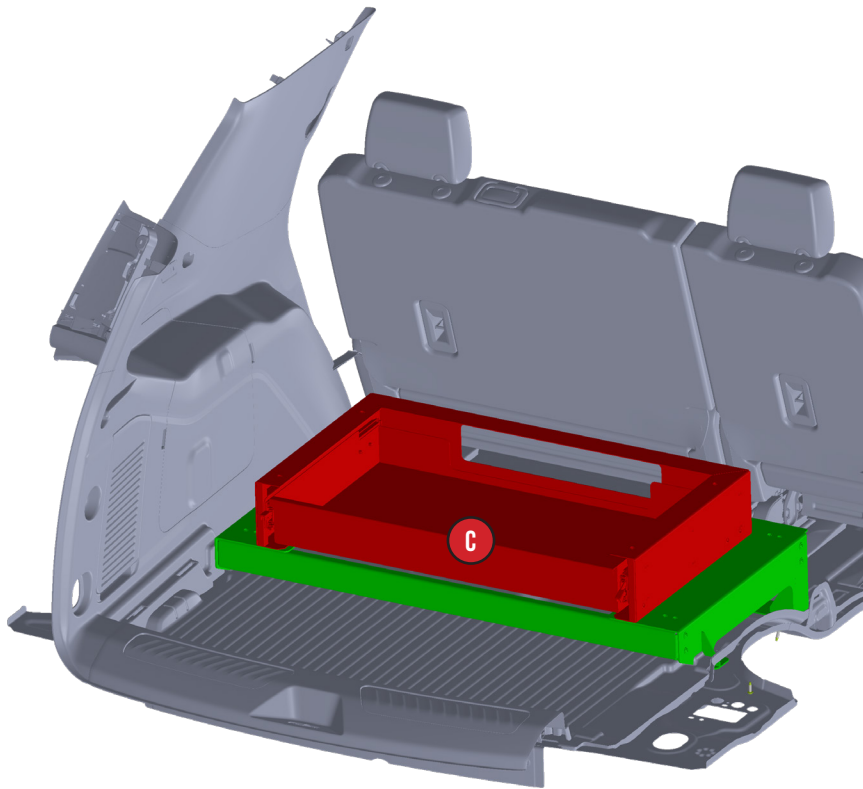


#2 x2



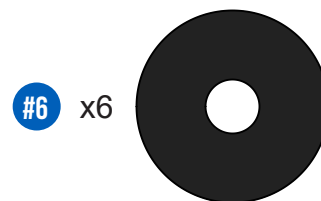
**NOTE:** If the cargo barrier is being installed, complete the installation process for the cargo barrier before proceeding to the next step.

## STEP 6

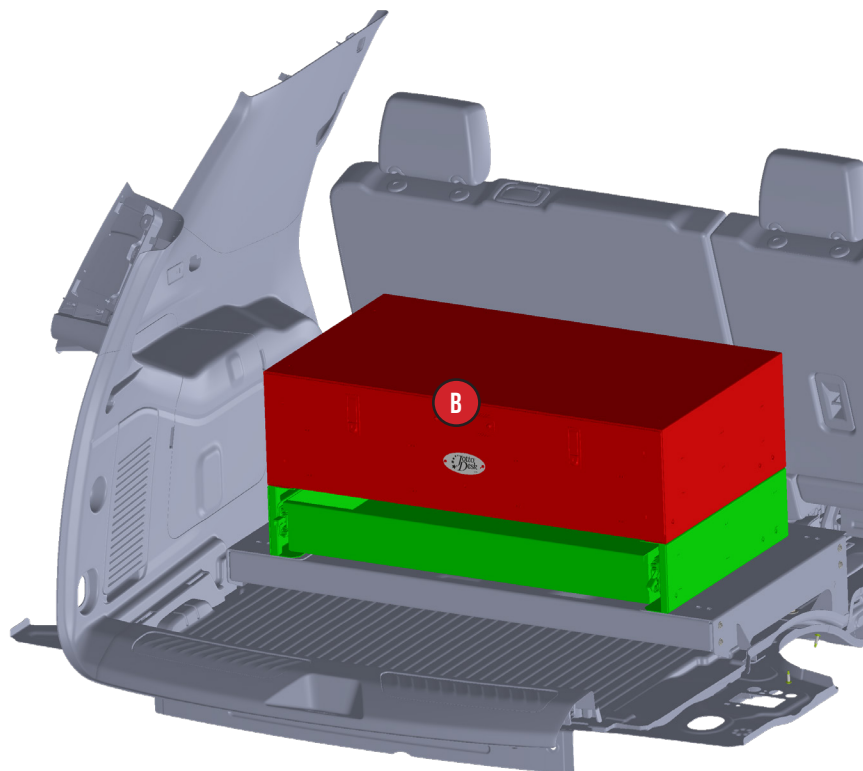


6. If the **C** equipment tray is being installed, attach it to the mounting brackets with the provided (6x) **#5** bolts and (6x) **#6** washers. If no equipment tray is used, proceed with mounting the **B** cargo box using the provided (6x) **#5** bolts and (6x) **#6** washers.

**NOTE:** The tray will need to be pulled out to access the mounting slots.



## STEP 7

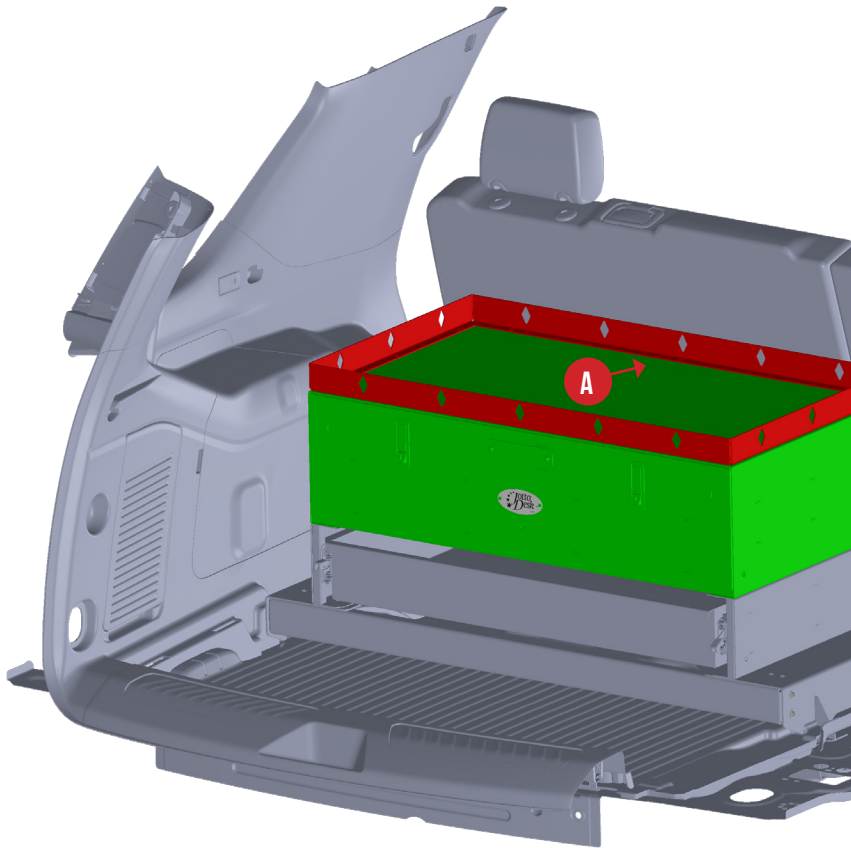


7. 9) If the **C** equipment tray was installed in the previous step, then proceed with installing the **B** cargo box using the provided (6x) **#5** bolts and (6x) **#6** washers. Make sure the box is aligned with the equipment tray before fully tightening the hardware.

**NOTE:** The drawer will need to be detached from the slides to access the mounting slots of the box. After installing the box, the drawer will need to be re-attached to the drawer slides.



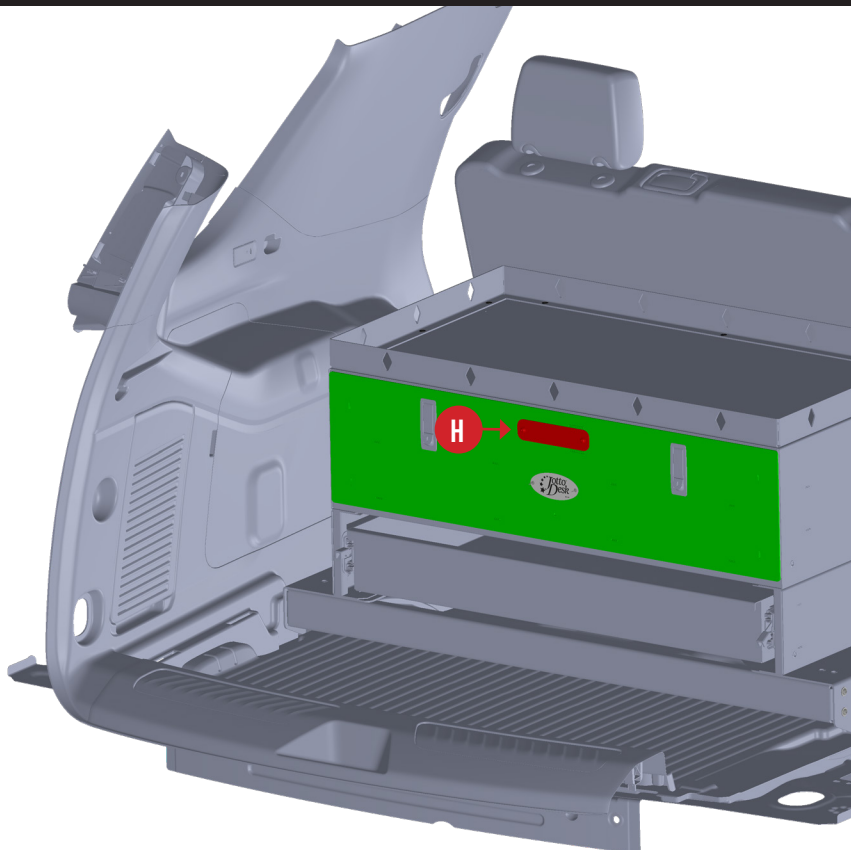
## STEP 8



8. If the **A** rail kit is being installed, proceed with installing the rail on top of the box using the provided (12x) **#7** self-drilling screws. Position the rail so that it is centered on top of the box before installing the screws.

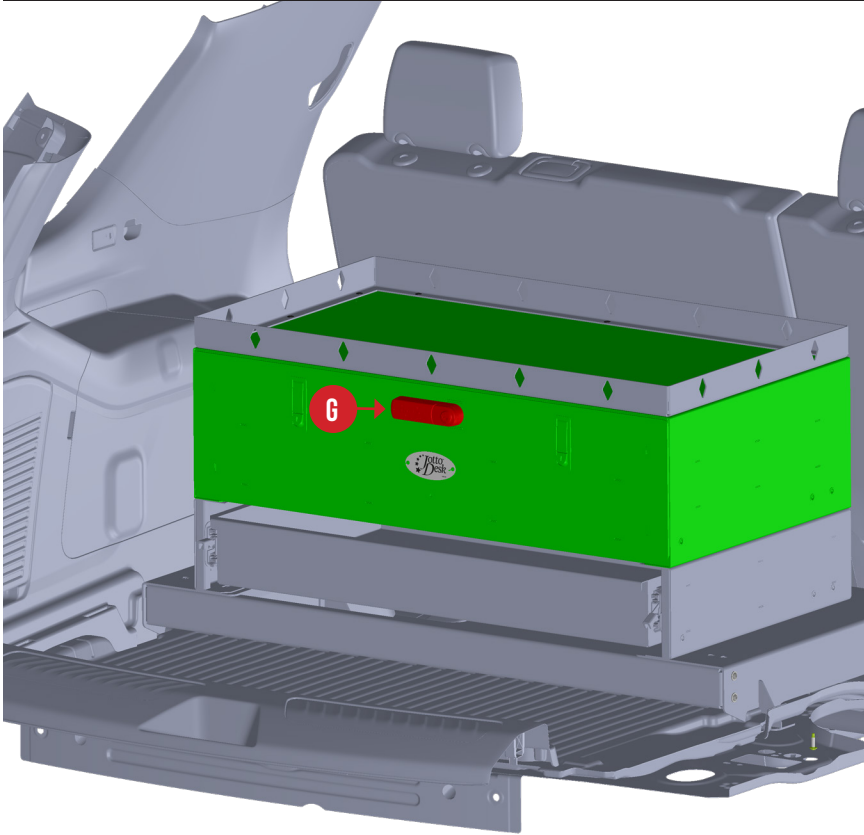


## STEP 9



9. If the **G** electronic slam latch is being installed, remove the **H** cover plate from the face of the drawer.

## STEP 10



10. Using the hardware included with the **G** electronic slam latch, install the latch to the face of the drawer.

**THIS PAGE LEFT BLANK INTENTIONALLY**



If you have questions or need further assistance please call Technical Support: (877) 455-6886

**405 WEST EASY STREET, ROGERS, AR 72756 • JOTTOPUBLICSAFETY.COM • 11/25**

Jotto Desk™ is a patented product and Registered Trademark of Kiefer Sage™. Specifications subject to change without notice.

050-0250-00